



IndigoVision



HD Fixed Camera

High-end: performance, not price tag.

With BX HD Fixed Camera you get supreme connectivity and flexibility, combined with great video and audio. You also get maximum reliability, and the other significant benefits of IndigoVision's Distributed Network Architecture. BX HD Fixed Camera deliver a different dimension of safety when combined with IndigoVision's Control Center.

Key Features

SENSOR



COMPRESSION



INTELLIGENCE



OTHER

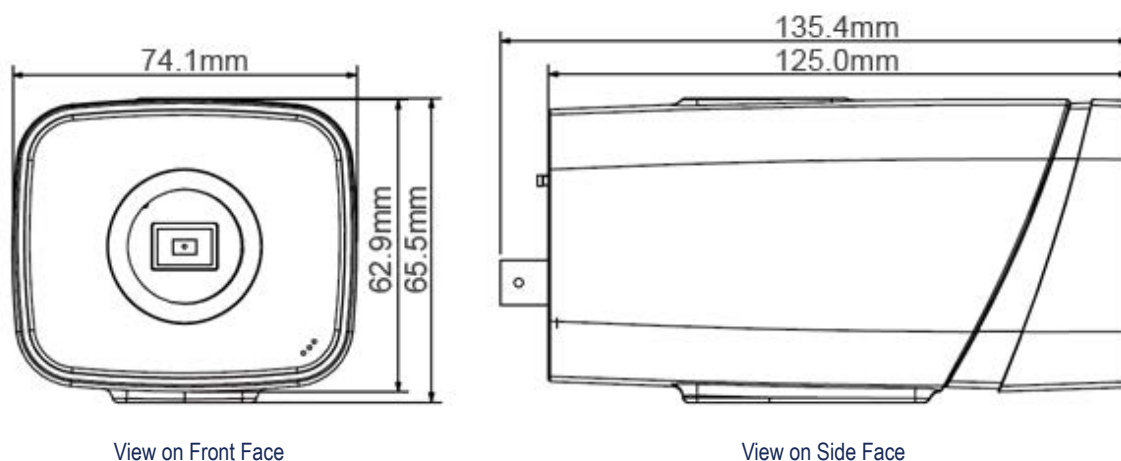


Product Codes

BX620 HD Fixed Camera	Camera
Standard Lens, 2.7-12mm	610620
Telephoto Lens, 5-50mm	610621

Product Code 66xxxx also available to order consisting of 61xxxx Product Code plus Enhanced Management Software License.

Dimensions



Specification

Camera Features	
Sensor	1/2.7" Progressive CMOS
Active Pixels (HxV)	2MP (1920 x 1080)
Horizontal Resolution	> 800 TVL
Minimum Sensitivity	Day: 0.01 Lux (colour). Night: 0.001 Lux (mono). 30 IRE, F1.6, 1/15s shutte
Dynamic Range	WDR > 120dB
Gain Control	Auto/Manual setting
Back Light Compensation	On/Off
White Balance Mode	Auto/Manual
Day/Night	True Day/Night with Mechanical IR Cut Filter
Video Resolution	1920x1080 pixels (HD); 1280x960 pixels (1.3MP); 1280x720 pixels (720p); 704x576 pixels (D1); 704x480 pixels (D1) 352x288 pixels (SIF); 352x240 pixels (SIF)
Signal/Noise Level	> 50dB
Lens Options	Standard Lens: 2.7mm - 12mm, F1.6, Vari-focal, CS mount with Auto Back Focus Telephoto Lens: 5mm - 50mm, F1.6, Vari-focal, CS mount with Auto Back Focus
Iris Control	DC Auto-iris
Shutter	Rolling; Auto from 1/3 - 1/10,000 sec
Exposure Control	Auto/Low Noise/Low Motion Blur/Manual
Video Compression	Full frame rate, full colour: H.264/MJPEG ; up to 30fps (ISO 14496-10)
Video Bit Rate	User-configurable bit rates from 64Kbps up to 8Mbps
Video Multi-Streaming	Up to 32Mbps total video output; Unlimited multicast connections. Up to four 8Mbps unicast connections; Up to sixteen 1Mbps unicast connections
Video Multi-Encoder	Up to two simultaneous resolutions including: 1080p (30fps), 720p (30fps), D1 (30fps), SIF (30fps)
Video Output	PAL composite video, 75 Ohms 1V p-p, BNC connector
Video Analytics	Motion Detection, Hooded, Tripwire, Intrusion, Abandoned, Missing
Audio Compression	G.711
Audio Bit Rate	32Kbps per channel
Audio Resolution	Full Duplex, 8kHz or 16kHz sample rate. Mono Input, Mono Output
Audio Input	Line in, 3.5mm jack connector
Audio Output	Line out, 3.5mm jack connector
Binary Input/Output	2 Pull up inputs for non powered contacts; 1 Solid state open collector output, Max 5.0V, 30mA
Data Input/Output	1 Data port: RS485 up to 115.2 Kbps
Network Interface	IEEE802.3 and IETF standards: 10/100 Base-T Ethernet, IPv4/IPv6, TCP, UDP, RTP, RTSP, ICMP, IGMP, SNMP, HTTP, HTTPS, SSH, PPPoE, uPnP, QoS, DHCP
Network Security	HTTPS / IP Filter / IEEE 802.1x
Time	Embedded real-time clock, NTP client
SD Storage	microSDHC 128GB support (card not included)
Dimension/Weight	Camera: 135.4mm (d) x 74.1mm (w) x 65.5mm (h) and 0.3Kg; without lens Standard Lens: 57.6mm (l) x 33.7mm (d) and 0.1Kg Telephoto Lens: 85.7mm (l) x 47.0mm (d) and 0.1Kg
Regulatory	EN 55022 Class A, EN 61000-3-2, EN 61000-3-3, FCC Part 15 Subpart B Class A, EN 50130-4, EN61000-4-2, EN61000-4-3, EN61000-4-4, EN61000-4-5, EN61000-4-6, EN61000-4-11, IEC60068-2-27 (Shock), IEC60068-2-6 (Sine Vibration), UL60950
Housing	Diecast aluminium alloy
Electrical	PoE (802.3af Class 0) or 12V DC / 24V AC; 6W. Power supply ordered separately (Product code: 110061; 110064)
Operating Temperature	-10°C to 50°C
Cold Start	0°C
IndigoVision Software Requirements	Control Center v13.2 or later
ONVIF	Profile S

* SDCard Storage independent of IndigoVision's NVRs.