



IndigoVision



# CCTV Keyboard

Who needs a mouse?

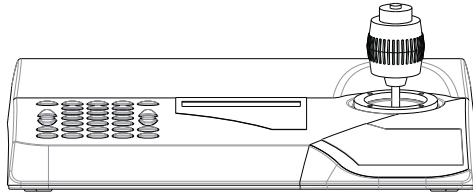
IndigoVision's CCTV Keyboard is used to access Control Center's Virtual Matrix and IP Video Wall. The Control Center Virtual Matrix allows the CCTV Keyboard to control IndigoVision and most third party PTZ cameras including Pelco and Panasonic.

- Seamless control of live video
- Desktop keyboard with 3-axis joystick (pan/tilt/zoom)
- Full variable PTZ control of speed domes
- Full control of Control Center virtual matrix
- Camera, monitor, and preset keys
- Focus, auto-iris, auto-sequence, tour keys
- Preset keys

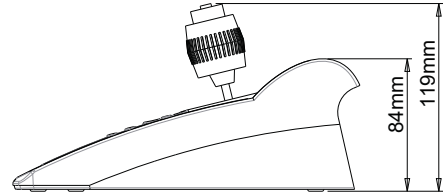
## Product Code

CCTV Keyboard	
CCTV Keyboard	110072

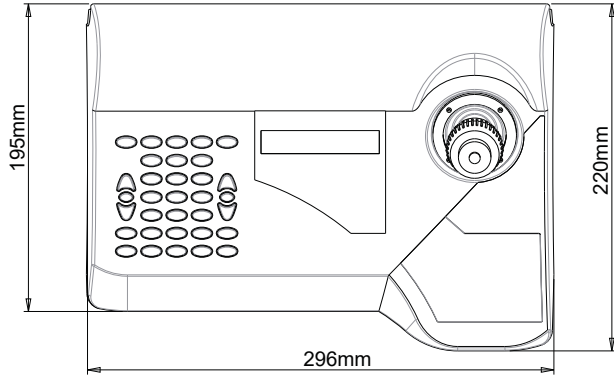
## Dimensions



View on Front Face



View on Left Side



View on Top Face

## Specification

General Specification	
Control	Proportional 3 axis joystick
Keypad	33 Keys
Keyboard Power Supply	12V DC; Power supply included
Power Consumption	2.5W
Operating Temperature	5°C to 40°C
Dimensions/Weight	220mm (d) x 296 mm (w) x 119mm (h) and 0.7Kg
RS232 Connections	1 Serial Line (COM) Connector, RJ11 Connector
Regulatory	EN 55022:1998 + A1:2000 + A2:2003 + EC:2005 Class B; EN 50130-4:1995 + A1:1998 + A2:2003