



IndigoVision

NVR-AS 3000 RANGE



# Compact Network Video Recorder

Powerful and integrated recording and playback system for video and audio from cameras and encoders

With recording for up to 20 cameras and simultaneous playback of up to 20 cameras, the IndigoVision Compact NVR-AS 3000 offers a small and powerful recording platform with up to 3TB storage. Able to withstand temperature ranges of 0°C to 50°C, it is ideal for installation outside of traditional machine rooms such as retail or banking applications and has recording support for multiple camera manufacturers.

## Key Features

COMPRESSION

**H.264** **H.264** **MJPEG** **GUARANTEED 25fps**

**AAC** **G.711**

OTHER

**DNA** **Firewall** **ONVIF**

PHYSICAL

**1U Height**

STORAGE

**SATA**

## Product Codes

Compact NVR-AS 3000	Product Code
RD1000	980107
RD2000	980108
RD3000	980109

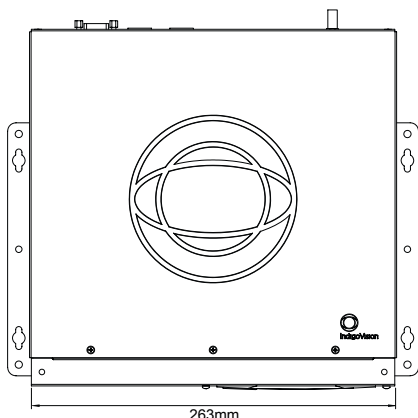
## Enhanced Management Software Licence

Number of Channels	1 Channel	Fallover Channel
ONVIF or Camera Gateway™ license per device	314001	314071

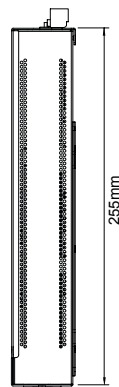
## Dimensions



View on Left Face



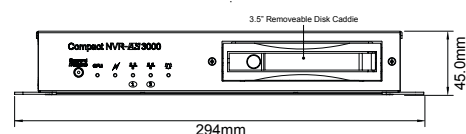
View on Top Face



View on Right Face



View on Back Face



View on Front Face

## Specification

	RD 1000	RD 2000	RD 3000
Disk Space (GB)	1000	2000	3000
<b>General Specification</b>			
Recording Hard Drive Bays	1 (Hot-swappable)		
Operating System	Embedded Linux		
Video	Simultaneously record and playback full frame rate, full resolution video streams from any IndigoVision IP Camera or Encoder. Record and playback from other devices**		
Audio	Recording and playback of AAC and G.711 audio*		
Thumbnails	Indexed recordings for rapid display of time-based, alarm-based or motion-based thumbnails*		
Alarms	Recording and logging of alarms and events		
Bookmarks	Recording and logging of bookmarks in association with recordings		
Integrated Data	Recording and logging of data records from LPR, EPOS and other integrations		
Analytics	Recording and playback of motion analysis data from cameras*		
Redundancy and Failover	Full DNA support, sophisticated failover and mirroring strategies amongst multiple NVRs for increased resilience and redundancy		
Automatic Storage Management	Policy based management options for automatic deletion or protection of old footage		
Digital Watermarking	Digital signing at point of recording and at export		
Recording Hard Drive	3.5in SATA Seagate SV35 Series optimised for 24x7 video storage. 3-year warranty		
RAID Controller	Hardware RAID Controller configured as RAID0		
Performance (Streams)	20 Recording plus simultaneous playback of 20 streams^		
Performance (Throughput)	40 Mbps in; 40 Mbps out; 80 Mbps total^		
Network Interface	Dual redundant 100/1000 BaseT RJ-45, TCP, UDP, ICMP, IGMP, SNMP, HTTP, NTP, Telnet, FTP		
Network Security	Embedded Linux firewall		
Dimensions/Weight	255mm (d) x 263mm (w) x 45mm (h) and 2.2Kg		
Regulatory	EN 55022 ITE emission standard – Class A, EN61000-3-2 Mains Harmonics – Class A, EN61000-3-3 Voltage Fluctuation, EN55024 ITE immunity standard, CFR47: 2002 Part 15 Sub Part B (US federal code of regulations), EN 60068-2-30 Humidity up to 95% Non Condensing		
Housing	Mild Steel Enclosure		
Electrical	Operating Voltage: Input 100-240V ~ 47-63Hz 1A; Power consumption: 32W (max). 12V DC power supply included		
Operating Temperature	0°C to 50°C		
Processor	Intel IOP341 1.2GHz		
Supplied Accessories	External PSU		
Onboard Diagnostics	Disk, CPU, Motherboard Temperatures, Network Status, Cooling Fan Status		

\* Features may vary based on capabilities of camera model. \*\* ONVIF or supported via IndigoVision Camera Gateway™ ^With or without Digital Watermarking enabled.

## Examples of Recording Duration in Days

Motion Level	5 Cameras	10 Cameras	20 Cameras
Occasional	160 days	80 days	40 days
Intermittent	36 days	18 days	9 days
Frequent	16 days	8 days	4 days

This table estimates the number of days recording on an RD1000 model (1TB storage) with different numbers of cameras assuming full frame rate, 4SIF, H.264 video at a maximum bitrate of 2Mbps. As IndigoVision transmitters only use required bandwidth, the actual recording capacity may be more or less than shown. For more accurate estimates, please see the IndigoVision website or contact IndigoVision's Partner Support.