



IndigoVision

BXRANGE

18x  
Optical



# XP HD PTZ Camera

Safe and Secure.

Designed for safety, the IndigoVision XP HD cameras deliver outstanding video security for hazardous areas where explosions could occur.

## Key Features

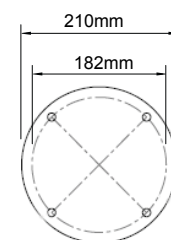
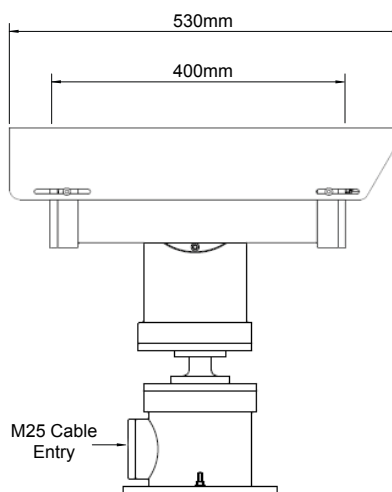
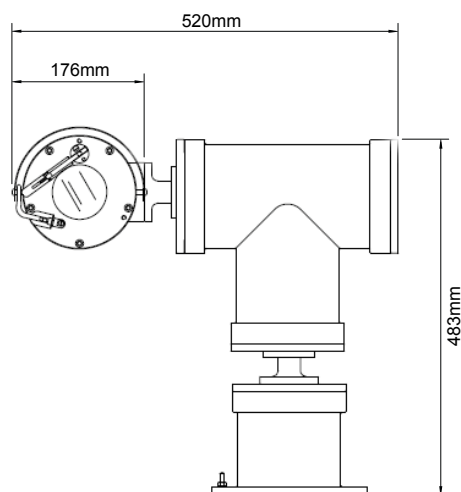
SENSOR					
	COMPRESSION				
INTELLIGENCE					
OTHER					
PHYSICAL					

## Product Codes

XP HD PTZ Camera (PAL)	Camera
18x Autofocus Lens, 24VAC, -20C to +50C, Wiper, ATEX/IECEX Certified	511325
18x Autofocus Lens, 24VAC, -40C to +35C, Wiper, ATEX/IECEX Certified	511335
18x Autofocus Lens, 24VAC, -20C to +50C, Wiper, INMETRO Certified	511326
18x Autofocus Lens, 24VAC, -40C to +35C, Wiper, INMETRO Certified	511336

Product Code 56xxxx also available to order consisting of 51xxxx Product Code plus Enhanced Management Software License.

## Dimensions



## Specification

Camera Features			
Sensor	1/2.7" Progressive CMOS		
Active Pixels (HxV)	2 MP (1920 x 1080)		
Horizontal Resolution	> 800 TVL		
Minimum Sensitivity	Day: 0.2 lux; Night: 0.02 lux		
Dynamic Range	WDR Low/Medium/High		
Gain Control	Auto/Manual setting across a 40dB range		
Back Light Compensation	On/Off		
White Balance Mode	Auto/Manual/ATW		
Day/Night	True Day/Night with Mechanical IR Cut Filter		
Video Resolution	1920x1080 (1080p); 1280x720 (720p); 720x576 pixels (D1 PAL); 352x288 pixels (SIF PAL)		
Lens Options	18x Autofocus: 4.7mm - 84.6mm, Horizontal view angle 61.5° (W) 3.3° (T), F1.6		
Zoom	18x optical + 10x digital		
Iris Control	DC Auto-iris		
Shutter	Rolling; Auto from 1 to 1/10000 sec		
Exposure Control	Auto/Manual/Slow AE		
Video Compression	Full frame rate, full colour: H.264/MJPEG; up to 25fps @ 1080p resolution		
Video Bit Rate	User-configurable bit rates from 64Kbps up to 8Mbps		
Video Multi-Streaming	Up to 32Mbps total video output; Unlimited multicast connections. Up to four 8Mbps unicast connections; Up to sixteen 1Mbps unicast connections		
Video Multi-Encoder	Up to three simultaneous resolutions including: 1080p (25fps), 720p (25fps), D1 (25fps), SIF (25fps)		
Video Analytics	Motion Detection, Hooded		
Network Interface	IEEE802.3 and IETF standards: 10/100 Base-T Ethernet, TCP, UDP, RTP, RTSP, ICMP, IGMP, SNMP, HTTP, HTTPS, PPPoE, uPnP, QoS, DHCP		
Network Security	HTTPS / IP Filter / IEEE 802.1x		
Time	Embedded real-time clock, NTP client		
Dimension/Weight	530mm (d) x 520mm (w) x 483mm (h) and 50Kg		
Regulatory	EN 55022 Class A, EN 55024, CFR47 Part 15 subpart B - Class A, Zones 1, 2, 21, 22. Onshore, Offshore, Marine & Heavy Industrial, II 2 G Ex d op pr IIC T4 (T5 & T6 Available on Request), II 2 D Ex tb IIIC T135° Db IP6x, IECExITS10.0063X		
Housing	Electropolished 316L Stainless Steel with wiper and sunshade as standard		
Protection Rating	IP67		
Electrical	Maximum 120W. 24V AC; 110-230V AC Option		
Operating Temperature	-40°C to 35°C or -20°C to 50°C		
IndigoVision Software Requirements	SMS4™ r8/Control Center 11.0 or later		
ONVIF	Profile S		
PTZ Control			
Presets	64	Tilt Range	-90° (above horizon) to +90° (vertically down)
Preset Accuracy	0.1°	Pan/Tilt Speed	0.5-45°/s
Pan Range	360° Continuous Rotation		

## Accessories

Accessories	Product Code
XP PTZ Camera Wall Mount	110182
XF/XP ATEX Armoured Cable (3m)	110181